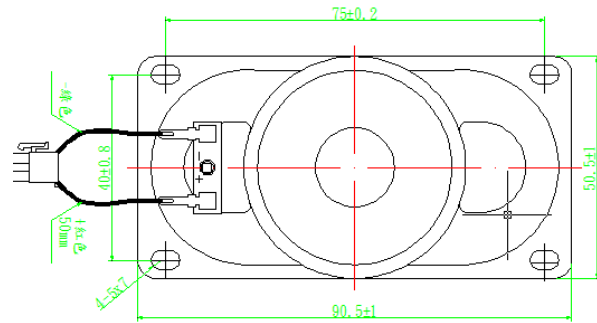




SPEAKER MODEL :L90W50CL

DESCRIPTION SPEAKER



SPEAKER SPECIFICATION

| | | | |
|-----------------------------------|--------------------------------|------------|---|
| Outer Dimensions | 50*90 mm(See attached drawing) | | |
| Rated (Max.)Input | 10 W (12W) | | |
| Voice Coil Imp. | 8 ± 1.2 | Ω | (1000 Hz 1 V) |
| Lowest Resonance Frequency (fo) | 220 ± 44 | Hz | (1 V) |
| Sound Pressure Level | 91 ± 2 | dB | (0.1 w 0.5 m) at(0.6)(0.8)(1.0)(1.2)KHZ |
| Frequency Response Deviation | FO Hz ~ | 20 KHz max | -10 dB |
| Operating temperature | -20 +50 ± 2 | °C | Hours 2 0 ~ 5 0 % R.H. |
| Load test | White noise at | 10 W | 48 hours |
| Weight | 143 g | | |

Other non-stipulated matters are based on CNS4784 4785 4786 based on JIS.C. 5530 5531

FREQUENCY RESPONSE CURVE^(7*18)

