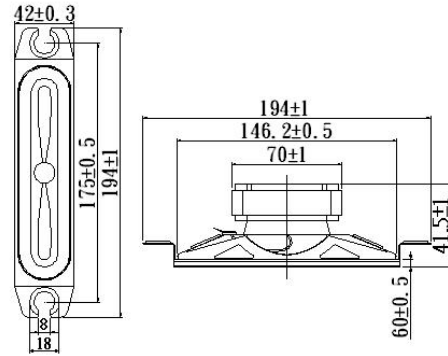




SPEAKER MODEL :L194W42RL

DESCRIPTION SPEAKER



SPEAKER SPECIFICATION

| | | | |
|-----------------------------------|---------------------------------|------------|---|
| Outer Dimensions | 194*42 mm(See attached drawing) | | |
| Rated (Max.)Input | 15 W (18W) | | |
| Voice Coil Imp. | 8 ± 1.2 | Ω | (600 Hz 1 V) |
| Lowest Resonance Frequency (fo) | 160 ± 32 | Hz | (1 V) |
| Sound Pressure Level | 81 ± 2 | dB | (0.1 w 0.5 m) at(0.6)(0.8)(1.0)(1.2)KHZ |
| Frequency Response Deviation | FO Hz ~ | 20 KHz max | -10 dB |
| Operating temperature | -20 +50 ± 2 | °C | Hours 20 ~ 50 % R.H. |
| Load test | White noise at | 15 W | 48 hours |
| Weight | 270 g | | |

Other non-stipulated matters are based on CNS4784 4785 4786 based on JIS.C. 5530 5531

FREQUENCY RESPONSE CURVE^(7*18)

