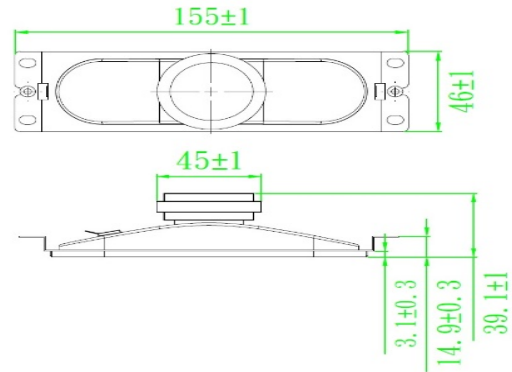
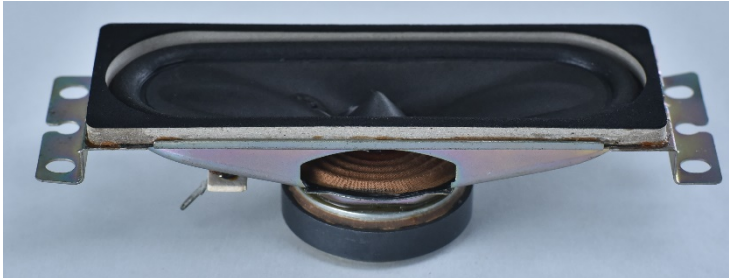




SPEAKER MODEL :L155W46SL

DESCRIPTION SPEAKER



SPEAKER SPECIFICATION

Outer Dimensions	155*46mm(See attached drawing)		
Rated (Max.)Input	10 W (12W)		
Voice Coil Imp.	4 ± 1.2	Ω	(500 Hz 1 V)
Lowest Resonance Frequency (fo)	120 ± 24	Hz	(1 V)
Sound Pressure Level	91 ± 2	dB	(0.1 w 0.5 m) at(0.6)(0.8)(1.0)(1.2)KHZ
Frequency Response Deviation	FO Hz ~	20 KHz max	-10 dB
Operating temperature	-20 +50 ± 2	°C	Hours 2 0 ~ 5 0 % R.H.
Load test	White noise at	10 W	48 hours
Weight	175 g		

Other non-stipulated matters are based on CNS4784 4785 4786 based on JIS.C. 5530 5531

FREQUENCY RESPONSE CURVE^(7*18)

