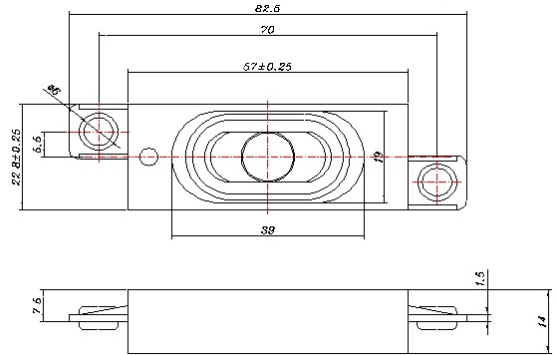




BOX SPEAKER MODEL :BOXL82W23-04L

DESCRIPTION SPEAKER



SPEAKER SPECIFICATION

Outer Dimensions	82*23 mm(See attached drawing)		
Rated (Max.)Input	1.5 W (2W)		
Voice Coil Imp.	4 ± 2.4 Ω (2KHz 1 V)		
Lowest Resonance Frequency (fo)	800 ± 160 Hz (1 V)		
Sound Pressure Level	96± 3dB (0.89 w 0.1 m) at(1) (1.2) (1.5) (2) kHz		
Frequency Response Deviation	FO Hz ~ 300-10 KHz max -10 dB		
Operating temperature	-20 +70 ± 2 °C	Hours	2 0 ~ 5 0 % R.H.
Load test	White noise at 1.5 W 48 hours		
Weight	11g		

Other non-stipulated matters are based on CNS4784 4785 4786 based on JIS.C. 5530 5531

FREQUENCY RESPONSE

CURVE_(7*18)

