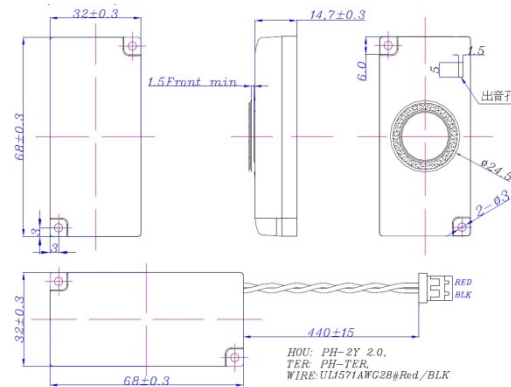
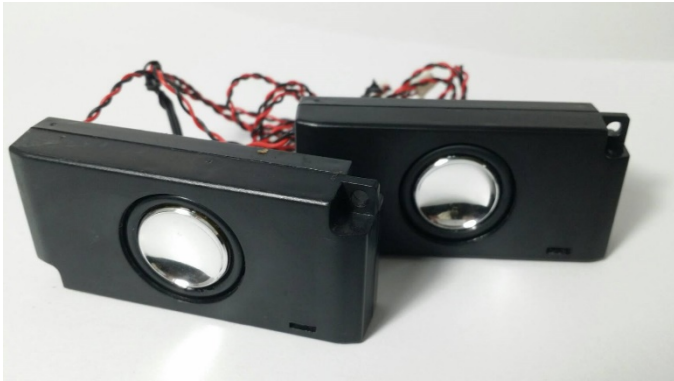




BOX SPEAKER MODEL : BOXL68W32-08L

DESCRIPTION SPEAKER



Outer Dimensions	68*32 mm(See attached drawing)		
Rated (Max.)Input	2 W (4W)		
Voice Coil Imp.	8 ± 0.9 Ω (1400Hz 1 V)		
Lowest Resonance Frequency (fo)	500 ± 100 Hz (1 V)		
Sound Pressure Level	97± dB (1 w 0.1 m) at(0.8) (1.0) (1.2) (1.5) kHz		
Frequency Response Deviation	FO Hz ~ 20 KHz max -10 dB		
Operating temperature	-20 +70 ± 2 °C	Hours	2 0 ~ 5 0 % R.H.
Load test	White noise at 2 W 48 hours		
Weight	26g		

Other non-stipulated matters are based on CNS4784 4785 4786 based on JIS.C. 5530 5531

FREQUENCY RESPONSE CURVE^(7*18)

