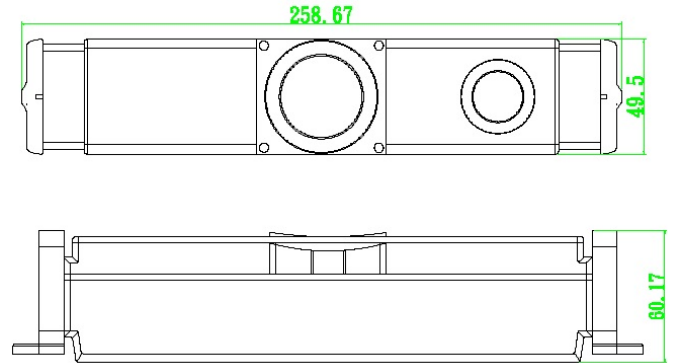




# BOX SPEAKER MODEL : BOXL225W48-08L

## DESCRIPTION SPEAKER



## SPEAKER SPECIFICATION

Outer Dimensions	259*50mm(See attached drawing)		
Rated (Max.)Input	10 W ( W )		
Voice Coil Imp.	$8 \pm 1.2 \Omega$ (600 Hz 1 V )		
Lowest Resonance Frequency ( fo )	$160 \pm 32$ Hz ( 1 V )		
Sound Pressure Level	82 ± 3 dB ( 1 w 0.5 m ) at(0.6) (0.8) (1.0) (1.2) kHz		
Frequency Response Deviation	FO Hz ~ 160-20 KHz max -10 dB		
Operating temperature	-20 +70 ± 2 °C	Hours	20 ~ 50 % R.H.
Load test	White noise at 10 W 48 hours		
Weight	257g		

Other non-stipulated matters are based on CNS4784 4785 4786 based on JIS.C. 5530 5531

## FREQUENCY RESPONSE CURVE<sup>(7\*18)</sup>

