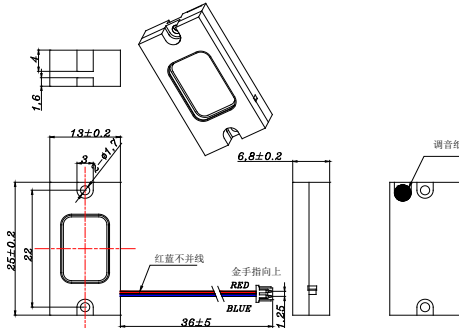
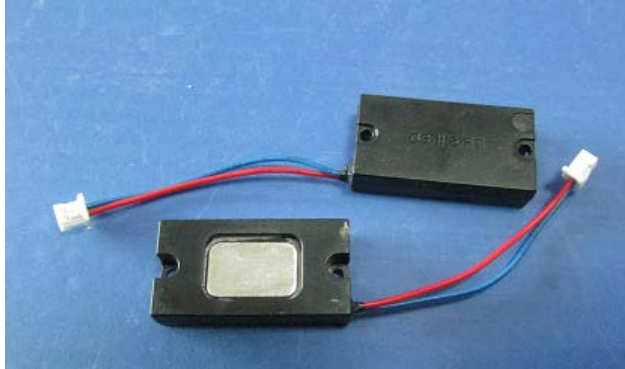




# Micro SPEAKER MODEL : BOXL2513-AS

## DESCRIPTION SPEAKER



UL1571 30# OD:0.8 UNIT:mm TOL:±0.3

## SPEAKER SPECIFICATION

Outer Dimensions	25*13 mm(See attached drawing)		
Rated (Max.)Input	0.75W (1.0W)		
Voice Coil Imp.	8 ± 1.2	Ω	( 1000 Hz 1 V )
Lowest Resonance Frequency (fo)	1000 ± 270	Hz	( 1 V )
Sound Pressure Level	86 ± 2	dB	( 0.1w 0.1 m ) at(1.0)(1.2)(1.5)(2.0)KHZ
Frequency Response Deviation	FO Hz ~	20 KHz max	-10 dB
Operating temperature	-20 +50 ± 2	°C	Hours 2 0 ~ 5 0 % R.H.
Load test	White noise at 0.75 W 48 hours		
Weight	2.35 g		

Other non-stipulated matters are based on CNS4784 4785 4786 based on JIS.C. 5530 5531

## FREQUENCY RESPONSE CURVE<sup>(7\*18)</sup>

