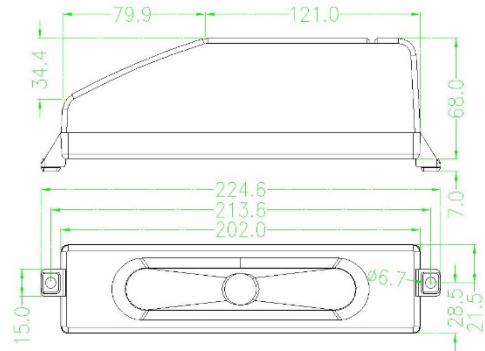




BOX SPEAKER MODEL : BOXL225W48-10W

DESCRIPTION SPEAKER



SPEAKER SPECIFICATION

Outer Dimensions	225*48mm(See attached drawing)		
Rated (Max.)Input	10 W (W)		
Voice Coil Imp.	$8 \pm 1.2 \Omega$ (450 Hz 1 V)		
Lowest Resonance Frequency (fo)	160 ± 32 Hz (1 V)		
Sound Pressure Level	84 ± 2 dB (1 w 0.5 m) at(0.6) (0.8) (1.0) (1.2) kHz		
Frequency Response Deviation	FO Hz ~ 20 KHz max -10 dB		
Operating temperature	$-20 +70 \pm 2$ °C	Hours	20 ~ 50 % R.H.
Load test	White noise at 10 W 48 hours		
Weight	305g		

Other non-stipulated matters are based on CNS4784 4785 4786 based on JIS.C. 5530 5531

FREQUENCY RESPONSE CURVE^(7*18)

