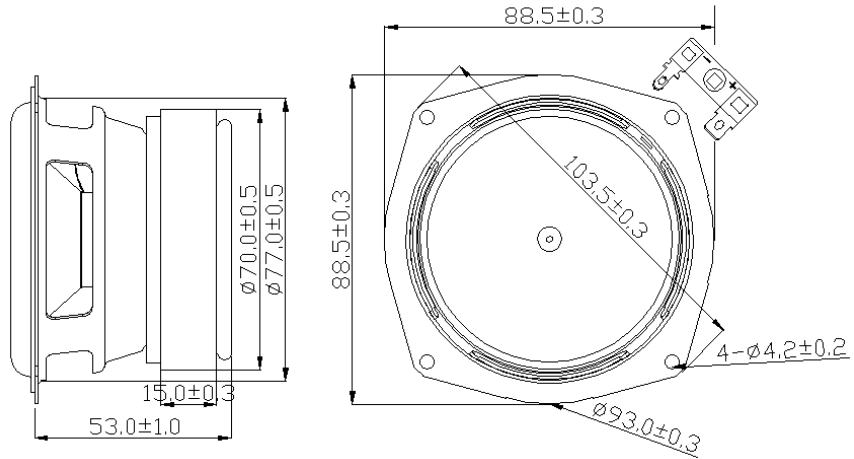




SPEAKER MODEL : 88S-TA

DESCRIPTION SPEAKER



SPEAKERSPECIFICATION

Outer Dimensions	88mm(See attached drawing)		
Rated (Max.)Input	15W (25W)		
Voice Coil Imp.	8 ± 1.2 Ω (300 Hz 1 V)		
Lowest Resonance Frequency (fo)	65 ± 13 Hz (1 V)		
Sound Pressure Level	79± 2 dB (1 w 1m) at(0.4)(0.6)(0.8)(1.0)KHZ		
Frequency Response Deviation	FO 50 Hz ~ 10 KHz max -10 dB		
Operating temperature	-20 +70 ± 2 °C	Hours	2 0 ~ 5 0 % R.H.
Load test	White noise at 25W 48 hours		
Weight	550 g		

Other non-stipulated matters are based on CNS4784 4785 4786 based on JIS.C. 5530 5531

FREQUENCY RESPONSE CURVE^(7*18)

