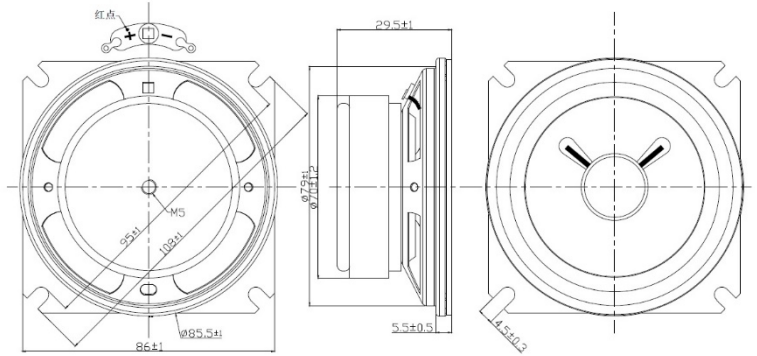
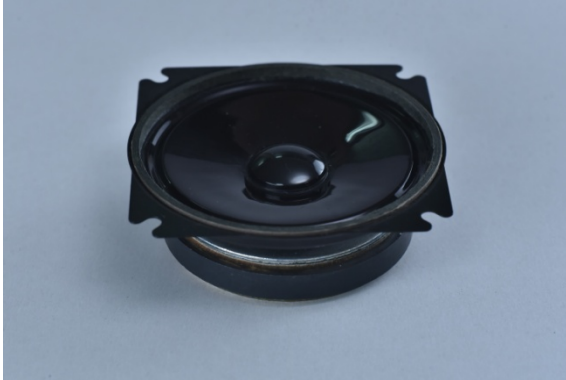




SPEAKER MODEL :86MM

DESCRIPTION SPEAKER



SPEAKER SPECIFICATION

Outer Dimensions	86mm(See attached drawing)		
Rated (Max.)Input	10W (12 W)		
Voice Coil Imp.	8 ± 1.2	Ω	(700 Hz 1 V)
Lowest Resonance Frequency (fo)	246 ± 49	Hz	(1 V)
Sound Pressure Level	8± 2 dB (1 w 0.5 m) at(0.6)(0.8)(1.0)(1.2)KHZ		
Frequency Response Deviation	FO Hz ~ 7 KHz max -10 dB		
Operating temperature	-20 +70 ± 2	°C	Hours 2 0 ~ 5 0 % R.H.
Load test	White noise at W 48 hours		
Weight	327 g		

Other non-stipulated matters are based on CNS4784 4785 4786 based on JIS.C. 5530 5531

FREQUENCY RESPONSE CURVE^(7*18)

