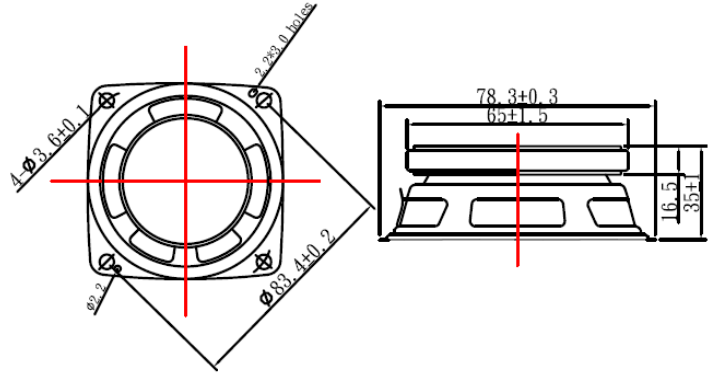




# SPEAKER MODEL :78SR-W

## DESCRIPTION SPEAKER



## SPEAKER SPECIFICATION

Outer Dimensions	78 mm(See attached drawing)		
Rated (Max.)Input	15W (20W)		
Voice Coil Imp.	8 ± 1.2	Ω	( 350 Hz 1 V )
Lowest Resonance Frequency ( fo )	95 ± 19	Hz	( 1 V )
Sound Pressure Level	88 ± 3	dB	( 1 w 0.5 m ) at(0.6)(0.8)(1.0)(1.2)KHZ
Frequency Response Deviation	FO Hz ~ 20 KHz max -10 dB		
Operating temperature	-20 +50 ± 2	°C	Hours 20 ~ 50 % R.H.
Load test	White noise at 15 W 48 hours		
Weight	315 g		

Other non-stipulated matters are based on CNS4784 4785 4786 based on JIS.C. 5530 5531

## FREQUENCY RESPONSE CURVE<sup>(7\*18)</sup>

