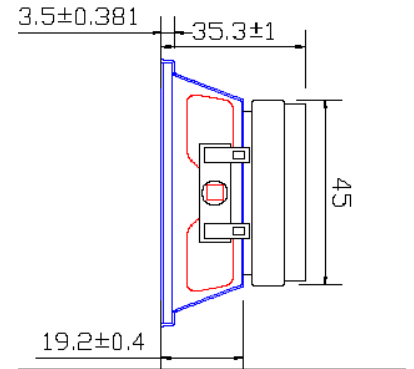
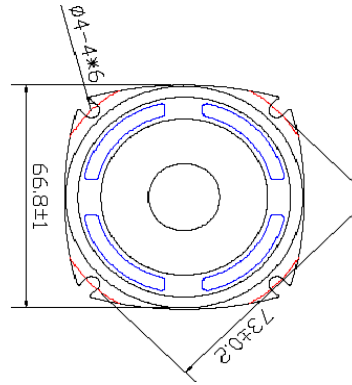




SPEAKER MODEL : 66SS

DESCRIPTION SPEAKER



SPEAKER SPECIFICATION

Outer Dimensions	67mm(See attached drawing)		
Rated (Max.)Input	8W (10 W)		
Voice Coil Imp.	8 ± 1.2	Ω (700 Hz 1 V)	
Lowest Resonance Frequency (fo)	170 ± 34	Hz (1 V)	
Sound Pressure Level	96 ± 2dB (1 w 0.5 m) at(0.6)(0.8)(1.0)(1.2)KHZ		
Frequency Response Deviation	FO Hz ~ 20 KHz max -10 dB		
Operating temperature	-20 +70 ± 2	°C	Hours 20 ~ 50 % R.H.
Load test	White noise at 8 W 48 hours		
Weight	158 g		

Other non-stipulated matters are based on CNS4784 4785 4786 based on JIS.C. 5530 5531

FREQUENCY RESPONSE CURVE^(7*18)

