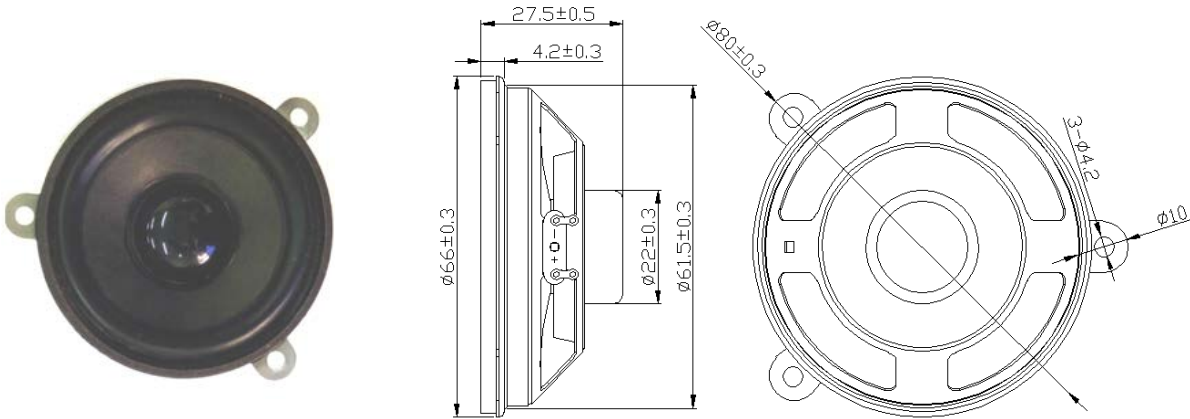




SPEAKER MODEL : 66R-A-TA

DESCRIPTION SPEAKER



SPEAKERSPECIFICATION

Outer Dimensions	66mm(See attached drawing)		
Rated (Max.)Input	2W (3W)		
Voice Coil Imp.	4 ± 0.6 Ω (800 Hz 1 V)		
Lowest Resonance Frequency (fo)	145 ± 29 Hz (1 V)		
Sound Pressure Level	83± 2 dB (1 w 0.5m) at(0.4)(0.6)(0.8)(1.0)KHZ		
Frequency Response Deviation	FO 110 Hz ~ 20 KHz max -10 dB		
Operating temperature	-20 +70 ± 2 °C	Hours	20 ~ 50 % R.H.
Load test	White noise at 3 W 48 hours		
Weight	37 g		

Other non-stipulated matters are based on CNS4784 4785 4786 based on JIS.C. 5530 5531

FREQUENCY RESPONSE CURVE^(7*18)

