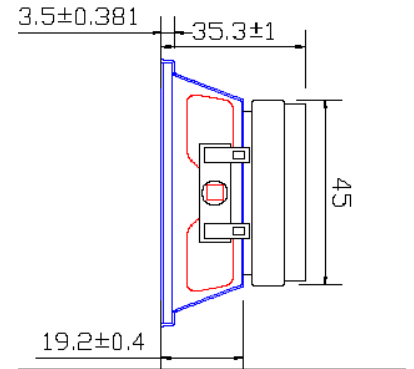
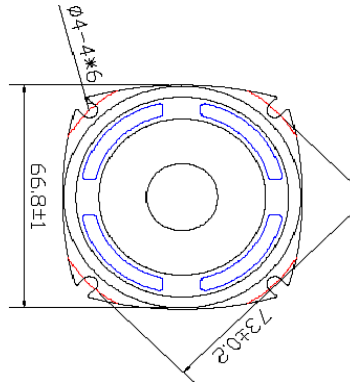




SPEAKER MODEL : 66CS

DESCRIPTION SPEAKER



SPEAKER SPECIFICATION

| | | | |
|-----------------------------------|---|-------------------|------------------------|
| Outer Dimensions | 66mm(See attached drawing) | | |
| Rated (Max.)Input | 5 W (68W) | | |
| Voice Coil Imp. | 8 ± 1.2 | Ω (1000 Hz 1 V) | |
| Lowest Resonance Frequency (fo) | 540 ± 108 | Hz (1 V) | |
| Sound Pressure Level | 92 ± 3 dB (1 w 0.5 m) at(0.8)(1.0)(1.2)(1.5)KHZ | | |
| Frequency Response Deviation | FO Hz ~ 20 KHz max -10 dB | | |
| Operating temperature | -20 +70 ± 2 | °C | Hours 2 0 ~ 5 0 % R.H. |
| Load test | White noise at 5 W 48 hours | | |
| Weight | 156 g | | |

Other non-stipulated matters are based on CNS4784 4785 4786 based on JIS.C. 5530 5531

FREQUENCY RESPONSE CURVE^(7*18)

