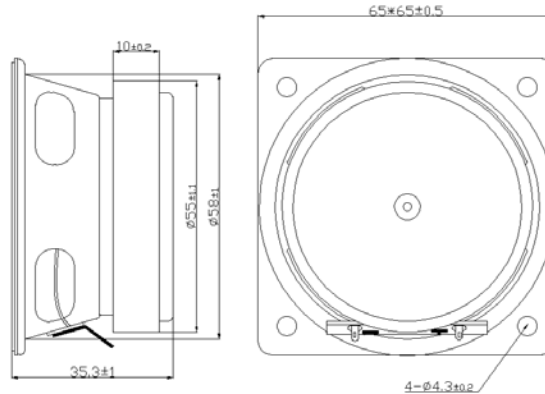
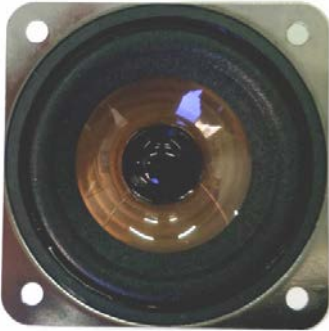




SPEAKER MODEL : 65S-TA

DESCRIPTION SPEAKER



SPEAKERSPECIFICATION

Outer Dimensions	65*65mm(See attached drawing)		
Rated (Max.)Input	8W 10W)		
Voice Coil Imp.	4 ± 0.6 Ω (700 Hz 1 V)		
Lowest Resonance Frequency (fo)	155 ± 31 Hz (1 V)		
Sound Pressure Level	88± 2 dB (1 w 0.3m) at(0.3)(0.4)(0.5)(0.8)KHZ		
Frequency Response Deviation	FO 125 Hz ~ 13 KHz max -10 dB		
Operating temperature	-20 +70 ± 2 °C Hours 2 0 ~ 5 0 % R.H.		
Load test	White noise at 10W 48 hours		
Weight	221 g		

Other non-stipulated matters are based on CNS4784 4785 4786 based on JIS.C. 5530 5531

FREQUENCY RESPONSE CURVE^(7*18)

