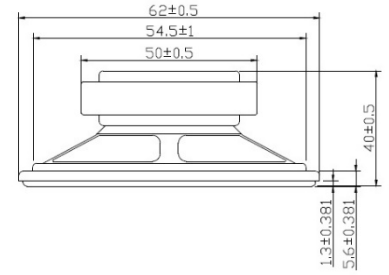
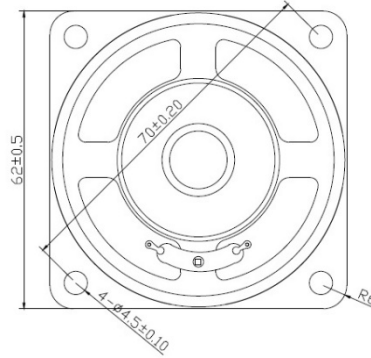




# SPEAKER MODEL : 62SC

## DESCRIPTION SPEAKER



## SPEAKER SPECIFICATION

Outer Dimensions	62mm(See attached drawing)		
Rated (Max.)Input	5 W ( 8 W)		
Voice Coil Imp.	16 ± 2.4	Ω ( 800 Hz 1 V )	
Lowest Resonance Frequency ( fo )	225 ± 45	Hz ( 1 V )	
Sound Pressure Level	86 ± 3 dB ( 1 w 0.5 m ) at(0.6)(0.8)(1.0)(1.2)KHZ		
Frequency Response Deviation	FO Hz ~ 20 KHz max -10 dB		
Operating temperature	-20 +70 ± 2	°C	Hours 20 ~ 50 % R.H.
Load test	White noise at 5 W 48 hours		
Weight	199 g		

Other non-stipulated matters are based on CNS4784 4785 4786 based on JIS.C. 5530 5531

## FREQUENCY RESPONSE CURVE<sup>(7\*18)</sup>

