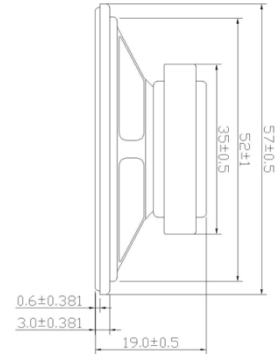
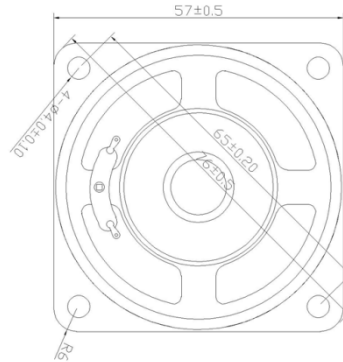




# SPEAKER MODEL : 57S

## DESCRIPTION SPEAKER



## SPEAKER SPECIFICATION

Outer Dimensions	57mm(See attached drawing)		
Rated (Max.)Input	4 W ( 5 W)		
Voice Coil Imp.	8 ± 1.2	Ω ( 1000 Hz 1 V )	
Lowest Resonance Frequency ( fo )	570 ± 114	Hz ( 1 V )	
Sound Pressure Level	93± 3dB ( 1 w 0.5 m ) at(0.6)(0.8)(1.0)(1.2)KHZ		
Frequency Response Deviation	FO Hz ~ 20 KHz max -10 dB		
Operating temperature	-20 +70 ± 2	°C	Hours 2 0 ~ 5 0 % R.H.
Load test	White noise at 4 W 48 hours		
Weight	31 g		

Other non-stipulated matters are based on CNS4784 4785 4786 based on JIS.C. 5530 5531

## FREQUENCY RESPONSE CURVE<sup>(7\*18)</sup>

