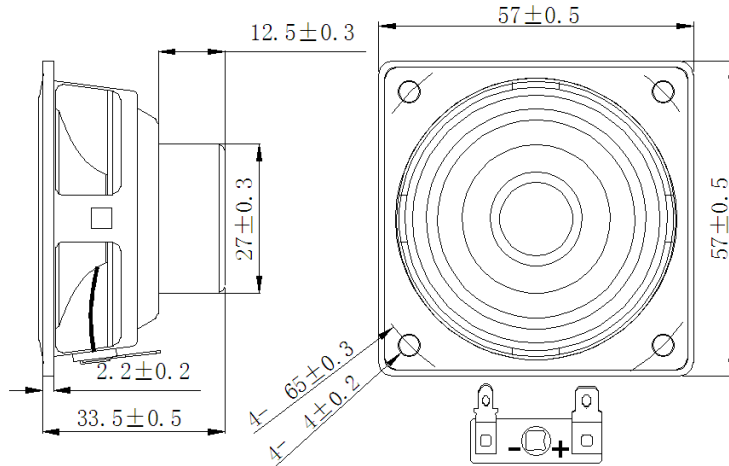




**SPEAKER MODEL : 57S-TA**

**DESCRIPTION SPEAKER**



**SPEAKERSPECIFICATION**

Outer Dimensions	57*57mm(See attached drawing)		
Rated (Max.)Input	6W (10W)		
Voice Coil Imp.	8 ± 1.2	Ω	( 800 Hz 1 V )
Lowest Resonance Frequency ( fo )	160 ± 32	Hz	( 1 V )
Sound Pressure Level	83 ± 2	dB	( 1 w1m ) at(0.4)(0.6)(0.8)(1.0)KHZ
Frequency Response Deviation	FO 130 Hz ~ 20 KHz max -10 dB		
Operating temperature	-20 +70 ± 2	°C	Hours 2 0 ~ 5 0 % R.H.
Load test	White noise at 10 W 48 hours		
Weight	74 g		

Other non-stipulated matters are based on CNS4784 4785 4786 based on JIS.C. 5530 5531

**FREQUENCY RESPONSE CURVE<sup>(7\*18)</sup>**

