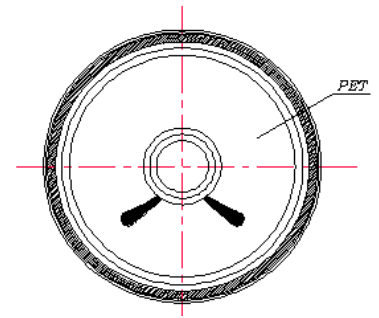
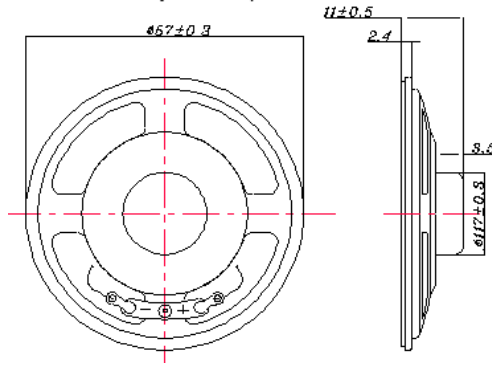




# Micro SPEAKER MODEL : 57R-AS

## DESCRIPTION SPEAKER



## SPEAKER SPECIFICATION

Outer Dimensions	57mm(See attached drawing)		
Rated (Max.)Input	0.5W (1.0W)		
Voice Coil Imp.	8 ± 1.2	Ω ( 1000 Hz 1 V )	
Lowest Resonance Frequency ( fo )	400 ± 80	Hz ( 1 V )	
Sound Pressure Level	92 ± 2	dB ( 0.1w 0.1 m )	at(1.0)(1.2)(1.5)(2.0)KHZ
Frequency Response	FO Hz ~	20 KHz max	-10 dB
Operating temperature	-20 +50 ± 2	°C	Hours 2 0 ~ 5 0 % R.H.
Load test	White noise at 0.5 W 48 hours		
Weight	13.8g		

Other non-stipulated matters are based on CNS4784 4785 4786 based on JIS.C. 5530 5531

## FREQUENCY RESPONSE

CURVE(7\*18)

