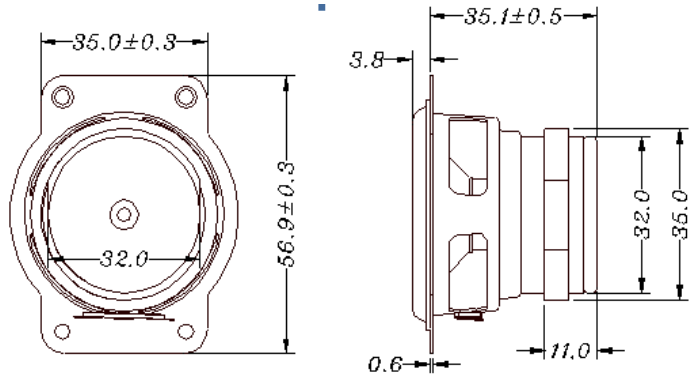




SPEAKER MODEL : 57LR

DESCRIPTION SPEAKER



SPEAKER SPECIFICATION

Outer Dimensions	53mm(See attached drawing)
Rated (Max.)Input	10W (12W)
Voice Coil Imp.	4.5± 0.7 Ω (500 Hz 1 V)
Lowest Resonance Frequency (fo)	160± 32 Hz (1 V)
Sound Pressure Level	85± 3dB (1 w 0.5 m) at(0.6)(0.8)(1.0)(1.2)KHZ
Frequency Response Deviation	FO Hz ~ 20 KHz max -10 dB
Operating temperature	-20 +70 ± 2 °C Hours 2 0 ~ 5 0 % R.H.
Load test	White noise at 10 W 48 hours
Weight	100g

Other non-stipulated matters are based on CNS4784 4785 4786 based on JIS.C. 5530 5531

FREQUENCY RESPONSE CURVE^(7*18)

