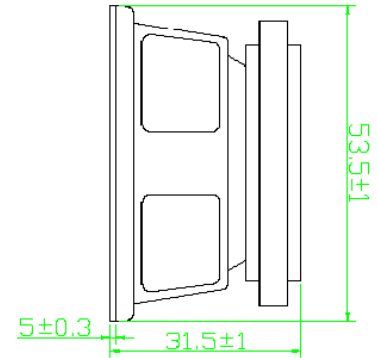
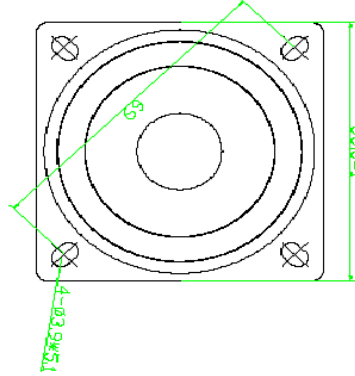




SPEAKER MODEL : 53SS

DESCRIPTION SPEAKER



SPEAKER SPECIFICATION

Outer Dimensions	52mm(See attached drawing)		
Rated (Max.)Input	3W (5 W)		
Voice Coil Imp.	4 ± 0.6	Ω	(600 Hz 1 V)
Lowest Resonance Frequency (fo)	150 ± 30	Hz	(1 V)
Sound Pressure Level	87 ± 2dB	(1 w 0.5 m)	at(0.6)(0.8)(1.0)(1.2)KHZ
Frequency Response Deviation	FO Hz ~	20 KHz max	-10 dB
Operating temperature	-20 +70 ± 2	°C	Hours 2 0 ~ 5 0 % R.H.
Load test	White noise at	3 W	48 hours
Weight	111 g		

Other non-stipulated matters are based on CNS4784 4785 4786 based on JIS.C. 5530 5531

FREQUENCY RESPONSE CURVE^(7*18)

