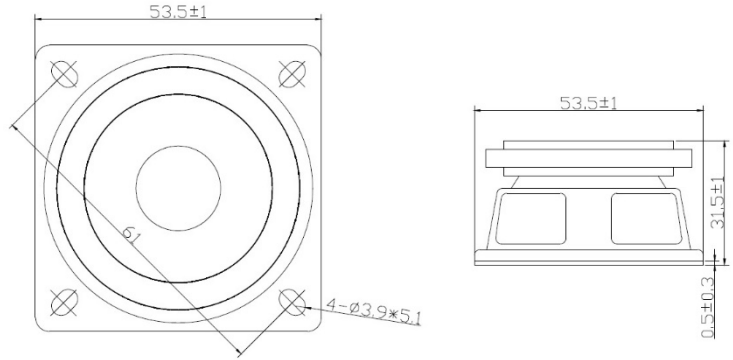




SPEAKER MODEL : 53CS

DESCRIPTION SPEAKER



SPEAKER SPECIFICATION

Outer Dimensions	53mm(See attached drawing)		
Rated (Max.)Input	3W (5 W)		
Voice Coil Imp.	4± 0.6	Ω	(800 Hz 1 V)
Lowest Resonance Frequency (fo)	218 ±	44	Hz (1 V)
Sound Pressure Level	85± 2dB	(1 w 0.5 m) at(0.6)(0.8)(1.0)(1.2)KHZ	
Frequency Response Deviation	FO Hz ~	20 KHz max	-10 dB
Operating temperature	-20 +70 ± 2	°C	Hours 2 0 ~ 5 0 % R.H.
Load test	White noise at	3 W 48 hours	
Weight	140g		

Other non-stipulated matters are based on CNS4784 4785 4786 based on JIS.C. 5530 5531

FREQUENCY RESPONSE CURVE^(7*18)

