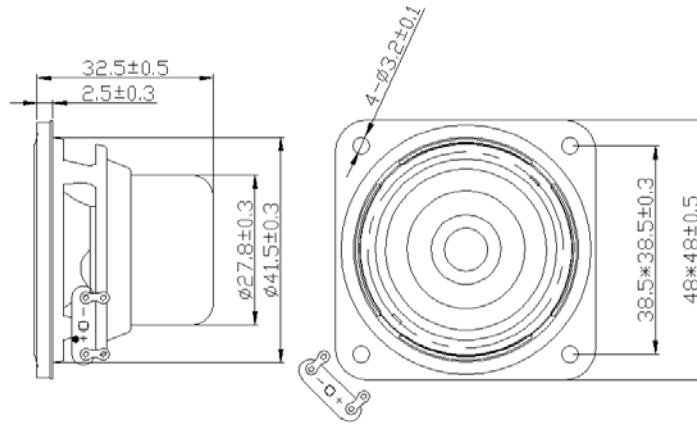




# SPEAKER MODEL : 48S-TA

## DESCRIPTION SPEAKER



## SPEAKERSPECIFICATION

Outer Dimensions	48*48mm(See attached drawing)
Rated (Max.)Input	5W (8W)
Voice Coil Imp.	8 ± 1.2 Ω ( 450 Hz 1 V )
Lowest Resonance Frequency ( fo )	105 ± 21 Hz ( 1 V )
Sound Pressure Level	77 ± 2 dB ( 1 w 1m ) at(0.4)(0.6)(0.8)(1.0)KHZ
Frequency Response Deviation	FO 80 Hz ~ 20 KHz max -10 dB
Operating temperature	-20 +70 ± 2 °C Hours 20 ~ 50 % R.H.
Load test	White noise at 8 W 48 hours
Weight	76 g

Other non-stipulated matters are based on CNS4784 4785 4786 based on JIS.C. 5530 5531

## FREQUENCY RESPONSE CURVE<sub>(7\*18)</sub>

