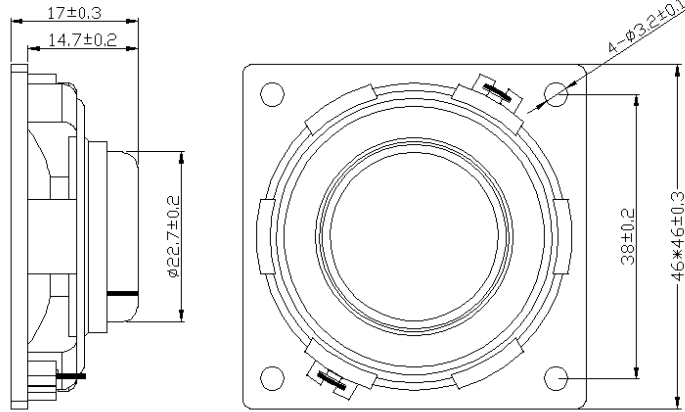
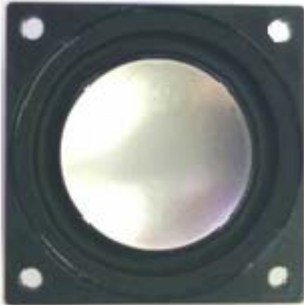




# SPEAKER MODEL : 46S-TA

## DESCRIPTION SPEAKER



## SPEAKERSPECIFICATION

Outer Dimensions	46*46mm(See attached drawing)
Rated (Max.)Input	10W (12W)
Voice Coil Imp.	4 ± 0.6 Ω ( 1000 Hz 1 V )
Lowest Resonance Frequency ( fo )	280 ± 56 Hz ( 1 V )
Sound Pressure Level	76 ± 2 dB ( 1 w 1m ) at(0.4)(0.6)(0.8)(1.0)KHZ
Frequency Response Deviation	FO 120 Hz ~ 15 KHz max -10 dB
Operating temperature	-20 +70 ± 2 °C Hours 2 0 ~ 5 0 % R.H.
Load test	White noise at 12 W 48 hours
Weight	29.5 g

Other non-stipulated matters are based on CNS4784 4785 4786 based on JIS.C. 5530 5531

## FREQUENCY RESPONSE CURVE<sup>(7\*18)</sup>

