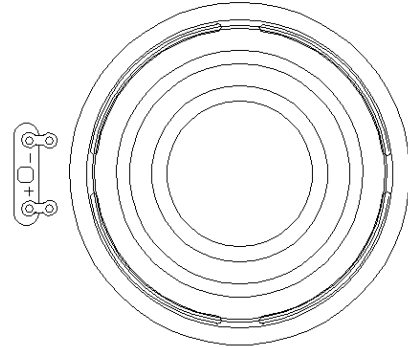
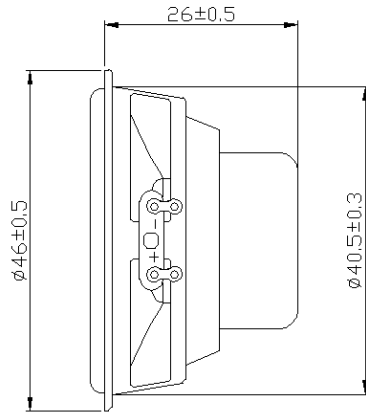




SPEAKER MODEL : 46R-TA

DESCRIPTION SPEAKER



SPEAKERSPECIFICATION

Outer Dimensions	46mm(See attached drawing)		
Rated (Max.)Input	5W (8W)		
Voice Coil Imp.	5 ± 0.75	Ω	(900 Hz 1 V)
Lowest Resonance Frequency (fo)	180 ± 56	Hz	(1 V)
Sound Pressure Level	81 ± 2	dB	(1 w 1m) at(0.4)(0.6)(0.8)(1.0)KHZ
Frequency Response Deviation	FO 120 Hz ~ 20 KHz max -10 dB		
Operating temperature	-20 +70 ± 2	°C	Hours 20 ~ 50 % R.H.
Load test	White noise at 8 W 48 hours		
Weight	47 g		

Other non-stipulated matters are based on CNS4784 4785 4786 based on JIS.C. 5530 5531

FREQUENCY RESPONSE CURVE_(7*18)

