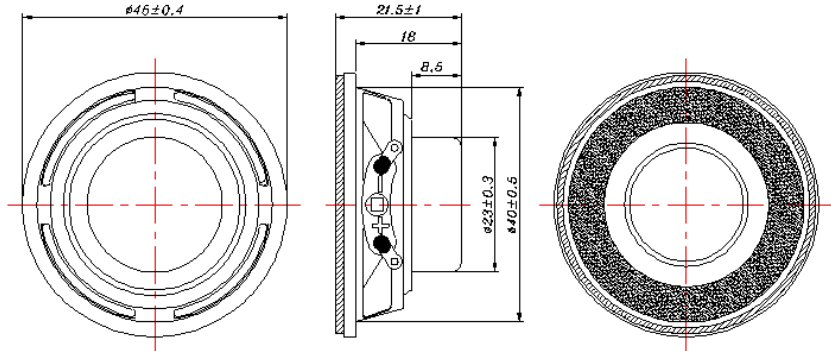




Micro SPEAKER MODEL : 45R-AS

DESCRIPTION SPEAKER



SPEAKER SPECIFICATION

Outer Dimensions	45 mm(See attached drawing)		
Rated (Max.)Input	8.0 W (10.0W)		
Voice Coil Imp.	8 ± 1.2 Ω (600 Hz 1 V)		
Lowest Resonance Frequency (fo)	160 ± 32 Hz (1 V)		
Sound Pressure Level	94 ± 2 dB (1 w 0.1 m) at(1.0)(1.2)(1.5)(2.0)KHZ		
Frequency Response Deviation	FO Hz ~ 20 KHz max -10 dB		
Operating temperature	-20 +55 ± 2 °C Hours 20 ~ 50 % R.H.		
Load test	White noise at 8.0W 48 hours		
Weight	31.0 g		

Other non-stipulated matters are based on CNS4784 4785 4786 based on JIS.C. 5530 5531

FREQUENCY RESPONSE CURVE

