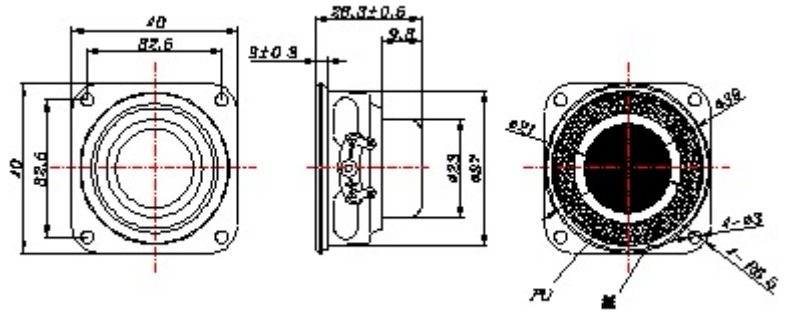




SPEAKER MODEL : 40SR-AS

DESCRIPTION SPEAKER



SPEAKER SPECIFICATION

Outer Dimensions	40mm(See attached drawing)
Rated (Max.)Input	4W(5 W)
Voice Coil Imp.	4 ± 1.2 Ω (700 Hz 1 V)
Lowest Resonance Frequency (fo)	150 ± 30 Hz (1 V)
Sound Pressure Level	86± 3 dB (1 w 0.5 m) at(0.6)(0.8)(1.0)(1.2)KHZ
Frequency Response Deviation	FO Hz ~ 20 KHz max -10 dB
Operating temperature	-20 +70 ± 2 °C Hours 2 0 ~ 5 0 % R.H.
Load test	White noise at 3 W 48 hours
Weight	33 g

Other non-stipulated matters are based on CNS4784 4785 4786 based on JIS.C. 5530 5531

FREQUENCY RESPONSE CURVE^(7*18)

