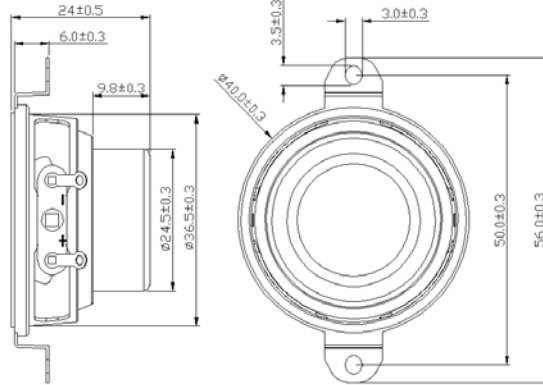




SPEAKER MODEL : 40R-A-TA

DESCRIPTION SPEAKER



SPEAKERSPECIFICATION

| | | | |
|-----------------------------------|-------------------------------|----|--------------------------------------|
| Outer Dimensions | 40mm(See attached drawing) | | |
| Rated (Max.)Input | 4W (6W) | | |
| Voice Coil Imp. | 4 ± 0.6 | Ω | (1100 Hz 1 V) |
| Lowest Resonance Frequency (fo) | 220 ± 44 | Hz | (1 V) |
| Sound Pressure Level | 81 ± 2 | dB | (1 w 1m) at(0.4)(0.6)(0.8)(1.0)KHZ |
| Frequency Response Deviation | FO 170 Hz ~ 20 KHz max -10 dB | | |
| Operating temperature | -20 +70 ± 2 | °C | Hours 20 ~ 50 % R.H. |
| Load test | White noise at 6 W 48 hours | | |
| Weight | 45 g | | |

Other non-stipulated matters are based on CNS4784 4785 4786 based on JIS.C. 5530 5531

FREQUENCY RESPONSE CURVE^(7*18)

