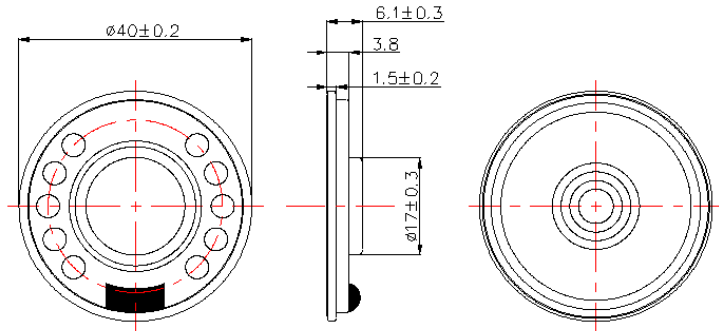




# Micro SPEAKER MODEL : 40R-A-AS

## DESCRIPTION SPEAKER



## SPEAKER SPECIFICATION

|                                   |  |
|-----------------------------------|--|
| Outer Dimensions                  | 40mm(See attached drawing)                             |
| Rated (Max.)Input                 | 1.0W (1.2W)  |
| Voice Coil Imp.                   | $8 \pm 1.2 \Omega$ ( 1000 Hz 1 V )                     |
| Lowest Resonance Frequency ( fo ) | $600 \pm 120$ Hz ( 1 V )                               |
| Sound Pressure Level              | $90 \pm 2$ dB ( 0.1w 0.1 m ) at(1.0)(1.2)(1.5)(2.0)KHZ |
| Frequency Response Deviation      | FO Hz ~ 20 KHz max -10 dB                              |
| Operating temperature             | -20 +50 $\pm 2$ °C Hours 20 ~ 50 % R.H.                |
| Load test                         | White noise at 1.0 W 48 hours                          |
| Weight                            | 9.8g   |

Other non-stipulated matters are based on CNS4784 4785 4786 based on JIS.C. 5530 5531

## FREQUENCY RESPONSE CURVE<sup>(7\*18)</sup>

