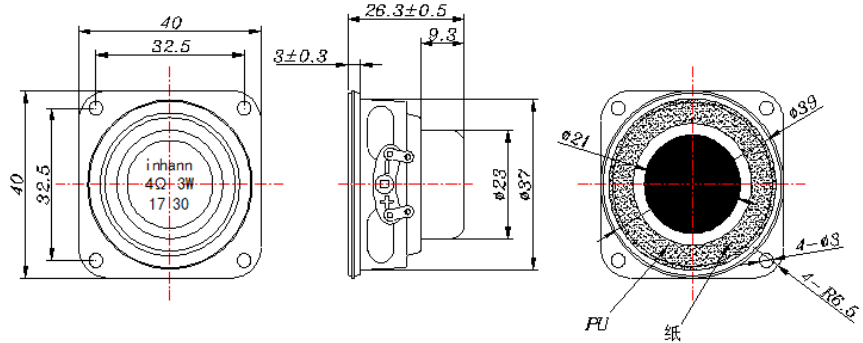




Micro SPEAKER MODEL : 4040S-AS

DESCRIPTION SPEAKER



SPEAKER SPECIFICATION

Outer Dimensions	40*40 mm(See attached drawing)		
Rated (Max.)Input	3W (4.0W)		
Voice Coil Imp.	4 ± 0.6	Ω (1000 Hz 1 V)	
Lowest Resonance Frequency (fo)	150 ± 30	Hz (1 V)	
Sound Pressure Level	94 ± 2	dB (0.1 w 0.1 m)	at(1.0)(1.2)(1.5)(2.0)KHZ
Frequency Response Deviation	FO Hz ~ 20 KHz max -10 dB		
Operating temperature	-20 +70 ± 2	°C	Hours 20 ~ 50 % R.H.
Load test	White noise at 3 W 48 hours		
Weight	31.5 g		

Other non-stipulated matters are based on CNS4784 4785 4786 based on JIS.C. 5530 5531

FREQUENCY RESPONSE CURVE

