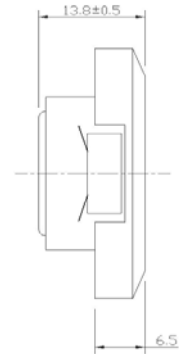
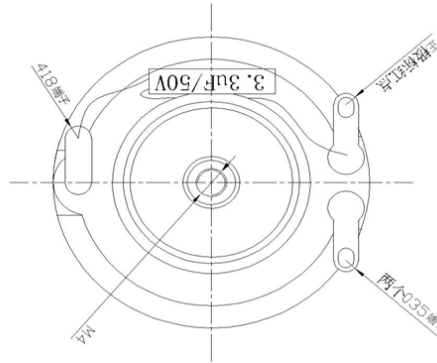




SPEAKER MODEL : 36TM

DESCRIPTION SPEAKER



SPEAKER SPECIFICATION

Outer Dimensions	36mm(See attached drawing)
Rated (Max.)Input	15 W (30 W)
Voice Coil Imp.	4 ± 0.6 Ω (5KHz 1 V)
Lowest Resonance Frequency (fo)	2500 ± 500 Hz (1 V)
Sound Pressure Level	92± 2 dB (1 w 0.5 m) at(2.5)(3.0)(4.0)(5.0)KHZ
Frequency Response Deviation	FO Hz ~ 20 KHz max -10 dB
Operating temperature	-20 +70 ± 2 °C Hours 20 ~ 50 % R.H.
Load test	White noise at 15 W 48 hours
Weight	12 g

Other non-stipulated matters are based on CNS4784 4785 4786 based on JIS.C. 5530 5531

FREQUENCY RESPONSE CURVE^(7*18)

