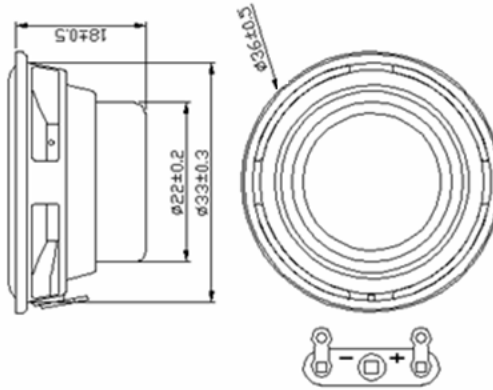




SPEAKER MODEL : 36R-TA

DESCRIPTION SPEAKER



SPEAKERSPECIFICATION

Outer Dimensions	36mm(See attached drawing)		
Rated (Max.)Input	2W (3W)		
Voice Coil Imp.	4 ± 0.6	Ω (1000 Hz 1 V)	
Lowest Resonance Frequency (fo)	200 ± 40	Hz (1 V)	
Sound Pressure Level	77 ± 2	dB (1 w 1m)	at(0.4)(0.6)(0.8)(1.0)KHZ
Frequency Response Deviation	FO 150 Hz ~ 20 KHz max -10 dB		
Operating temperature	-20 +70 ± 2	°C	Hours 20 ~ 50 % R.H.
Load test	White noise at 3 W 48 hours		
Weight	22 g		

Other non-stipulated matters are based on CNS4784 4785 4786 based on JIS.C. 5530 5531

FREQUENCY RESPONSE CURVE^(7*18)

