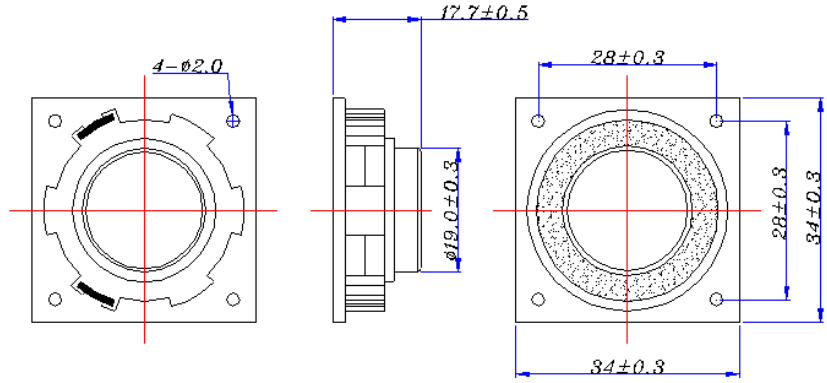




Micro SPEAKER MODEL : 3434S-AS

DESCRIPTION SPEAKER



SPEAKER SPECIFICATION

Outer Dimensions	34*34 mm(See attached drawing)		
Rated (Max.)Input	3.0 W (4.0W)		
Voice Coil Imp.	8 ± 1.2	Ω	(600 Hz 1 V)
Lowest Resonance Frequency (fo)	210 ± 42	Hz	(1 V)
Sound Pressure Level	88 ± 2	dB	(1 w 0.1 m) at(1.0)(1.2)(1.5)(2.0)KHZ
Frequency Response Deviation	FO Hz ~ 20 KHz max -10 dB		
Operating temperature	-20 +55 ± 2	°C	Hours 20 ~ 50 % R.H.
Load test	White noise at 3.0W 48 hours		
Weight	15.0 g		

Other non-stipulated matters are based on CNS4784 4785 4786 based on JIS.C. 5530 5531

FREQUENCY RESPONSE CURVE

