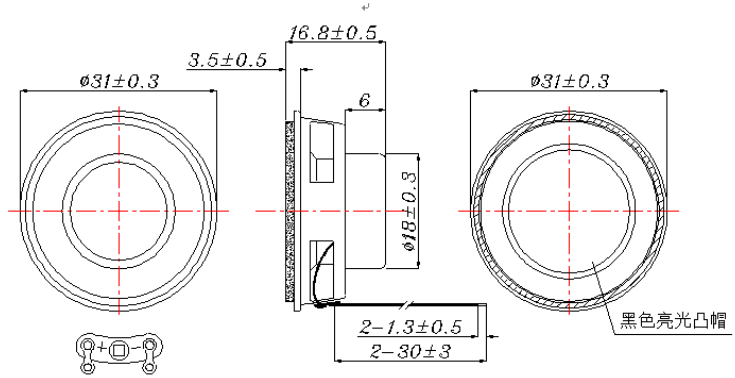
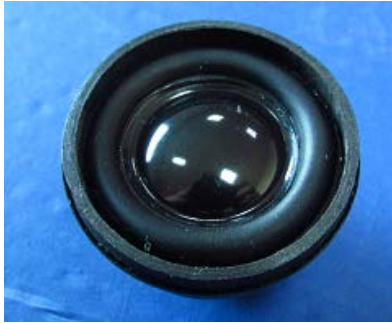




Micro SPEAKER MODEL :31R-AS

DESCRIPTION SPEAKER



SPEAKER SPECIFICATION

Outer Dimensions	31 mm(See attached drawing)		
Rated (Max.)Input	2.0 W (2.5W)		
Voice Coil Imp.	$4 \pm 0.6 \Omega$ (600 Hz 1 V)		
Lowest Resonance Frequency (fo)	200 ± 40 Hz (1 V)		
Sound Pressure Level	91 ± 2 dB (1 w 0.1 m) at(1.0)(1.2)(1.5)(2.0)KHZ		
Frequency Response Deviation	FO Hz ~ 20 KHz max -10 dB		
Operating temperature	$-20 +55 \pm 2$ °C	Hours	20 ~ 50 % R.H.
Load test	White noise at 0.8W 48 hours		
Weight	15.0 g		

Other non-stipulated matters are based on CNS4784 4785 4786 based on JIS.C. 5530 5531

FREQUENCY RESPONSE CURVE

