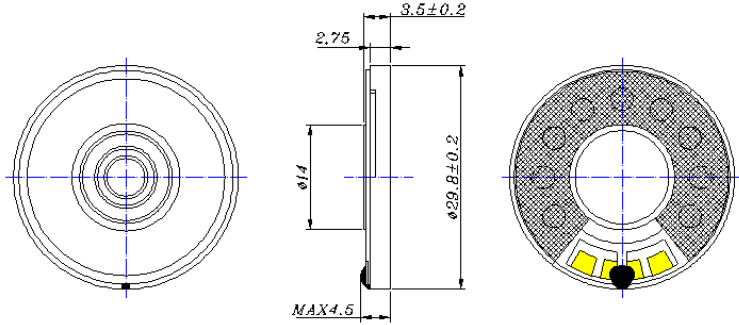




# Micro SPEAKER MODEL :30R-A-AS

## DESCRIPTION SPEAKER



## SPEAKER SPECIFICATION

Outer Dimensions	30 mm(See attached drawing)
Rated (Max.)Input	0.25W (0.5W)
Voice Coil Imp.	8 ± 1.2 Ω ( 1000 Hz 1 V )
Lowest Resonance Frequency ( fo )	800 ± 160 Hz ( 1 V )
Sound Pressure Level	88 ± 2 dB ( 0.1w 0.1 m ) at(1.0)(1.2)(1.5)(2.0)KHZ
Frequency Response Deviation	FO Hz ~ 20 KHz max -10 dB
Operating temperature	-20 +50 ± 2 °C Hours 20 ~ 50 % R.H.
Load test	White noise at 0.25 W 48 hours
Weight	<b>2.8 g</b>

Other non-stipulated matters are based on CNS4784 4785 4786 based on JIS.C. 5530 5531

## FREQUENCY RESPONSE CURVE<sup>(7\*18)</sup>

