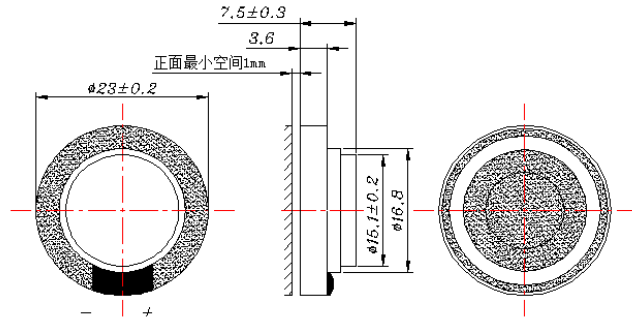




# Micro SPEAKER MODEL :23R-AS

## DESCRIPTION SPEAKER



## SPEAKER SPECIFICATION

Outer Dimensions	23 mm(See attached drawing)		
Rated (Max.)Input	1.0 W (1.5W)		
Voice Coil Imp.	$8 \pm 1.2 \Omega$ ( 600 Hz 1 V )		
Lowest Resonance Frequency ( fo )	$500 \pm 100$ Hz ( 1 V )		
Sound Pressure Level	86 $\pm$ 2 dB ( 1 w 0.1 m ) at(1.0)(1.2)(1.5)(2.0)KHZ		
Frequency Response Deviation	FO Hz ~ 20 KHz max -10 dB		
Operating temperature	-20 +55 $\pm$ 2 $^{\circ}$ C Hours 20 ~ 50 % R.H.		
Load test	White noise at 0.8W 48 hours		
Weight	6.5 g		

Other non-stipulated matters are based on CNS4784 4785 4786 based on JIS.C. 5530 5531

## FREQUENCY RESPONSE CURVE

