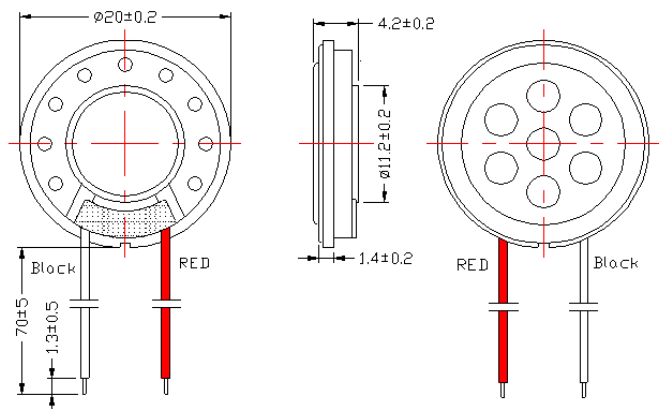
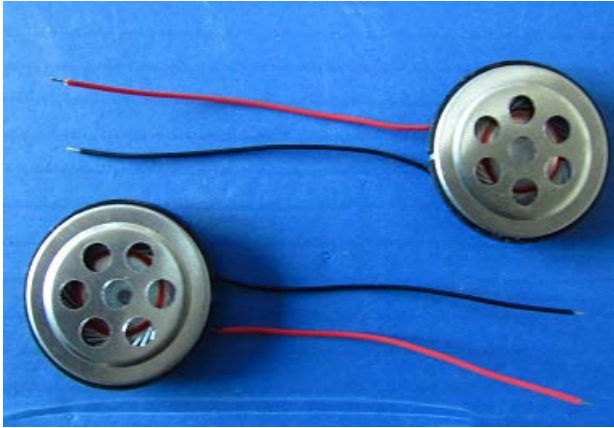




Micro SPEAKER MODEL : 20R-B-AS

DESCRIPTION SPEAKER



SPEAKER SPECIFICATION

| | | | |
|-----------------------------------|-------------------------------|--------------------|--|
| Outer Dimensions | 20 mm(See attached drawing) | | |
| Rated (Max.)Input | 0.3W (0.5W) | | |
| Voice Coil Imp. | 16 \pm 2.4 | Ω | (1000 Hz 1 V) |
| Lowest Resonance Frequency (fo) | 1050 \pm 230 | Hz | (1 V) |
| Sound Pressure Level | 86 \pm 2 | dB | (0.1w 0.1 m) at(1.0)(1.2)(1.5)(2.0)KHZ |
| Frequency Response Deviation | FO Hz ~ | 20 KHz max | -10 dB |
| Operating temperature | -20 +50 \pm 2 | $^{\circ}\text{C}$ | Hours 20 ~ 50 % R.H. |
| Load test | White noise at 0.3 W 48 hours | | |
| Weight | 1.8 g | | |

Other non-stipulated matters are based on CNS4784 4785 4786 based on JIS.C. 5530 5531

FREQUENCY RESPONSE CURVE^(7*18)

