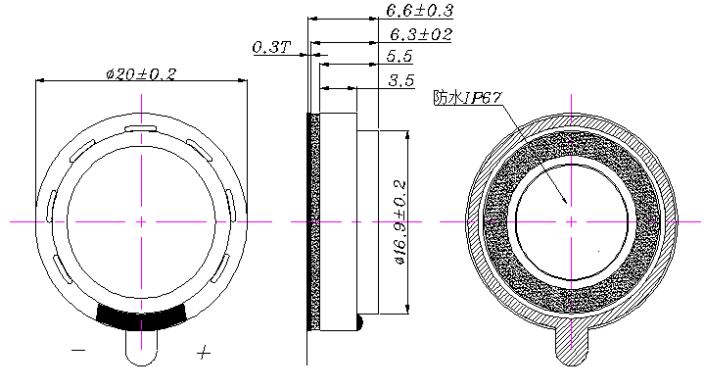




# Micro SPEAKER MODEL :20R-AS

## DESCRIPTION SPEAKER



Outer Dimensions	20 mm(See attached drawing)		
Rated (Max.)Input	1.0 W (2.0W)		
Voice Coil Imp.	$8 \pm 1.2$	$\Omega$	( 600 Hz 1 V )
Lowest Resonance Frequency ( fo )	$800 \pm 160$	Hz	( 1 V )
Sound Pressure Level	$92 \pm 2$	dB	( 1 w 0.1 m ) at(1.0)(1.2)(1.5)(2.0)KHZ
Frequency Response Deviation	FO Hz ~ 20 KHz max -10 dB		
Operating temperature	-20 +55 $\pm 2$	$^{\circ}\text{C}$	Hours 20 ~ 50 % R.H.
Load test	White noise at 1.0W 48 hours		
Weight	3.9 g		

Other non-stipulated matters are based on CNS4784 4785 4786 based on JIS.C. 5530 5531

## FREQUENCY RESPONSE CURVE

