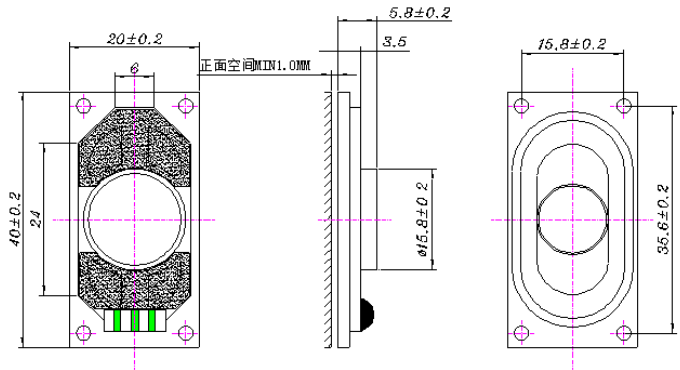




# Micro SPEAKER MODEL : 2040L-AS

## DESCRIPTION SPEAKER



## SPEAKER SPECIFICATION

|                                   |                                |            |   |
|-----------------------------------|--------------------------------|------------|---|
| Outer Dimensions                  | 20*40 mm(See attached drawing) |            |   |
| Rated (Max.)Input                 | 1.5 W (2W)                     |            |   |
| Voice Coil Imp.                   | 8 ± 1.2                        | Ω          | ( 1000 Hz 1 V )                           |
| Lowest Resonance Frequency ( fo ) | 700 ± 140                      | Hz         | ( 1 V )                                   |
| Sound Pressure Level              | 93 ± 2                         | dB         | ( 0.1 w 0.1 m ) at(1.0)(1.2)(1.5)(2.0)KHZ |
| Frequency Response Deviation      | FO Hz ~                        | 20 KHz max | -10 dB                                    |
| Operating temperature             | -20 +50 ± 2                    | °C         | Hours 20 ~ 50 % R.H.                      |
| Load test                         | White noise at                 | 1.5 W      | 48 hours                                  |
| Weight                            | 4.4                            | g          |   |

Other non-stipulated matters are based on CNS4784 4785 4786 based on JIS.C. 5530 5531

## FREQUENCY RESPONSE URVE(7\*18)

