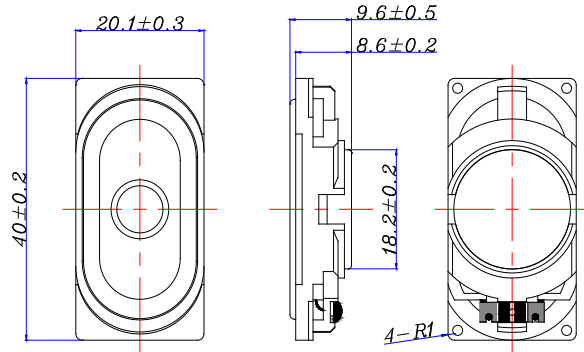




Micro SPEAKER MODEL :2040L-A

DESCRIPTION SPEAKER



UNIT:MM TOL:±0.3

SPEAKER SPECIFICATION

Outer Dimensions	20*40 mm(See attached drawing)		
Rated (Max.)Input	1.5W (2.0W)		
Voice Coil Imp.	4 ± 0.6	Ω	(1000 Hz 1 V)
Lowest Resonance Frequency (fo)	400 ± 80	Hz	(1 V)
Sound Pressure Level	89 ± 2	dB	(0.1w 0.1 m) at(1.0)(1.2)(1.5)(2.0)KHZ
Frequency Response Deviation	FO Hz ~	20 KHz max	-10 dB
Operating temperature	-20 +50 ± 2	°C	Hours 20 ~ 50 % R.H.
Load test	White noise at 1.5 W 48 hours		
Weight	9.2g		

Other non-stipulated matters are based on CNS4784 4785 4786 based on JIS.C. 5530 5531

FREQUENCY RESPONSE CURVE^(7*18)

