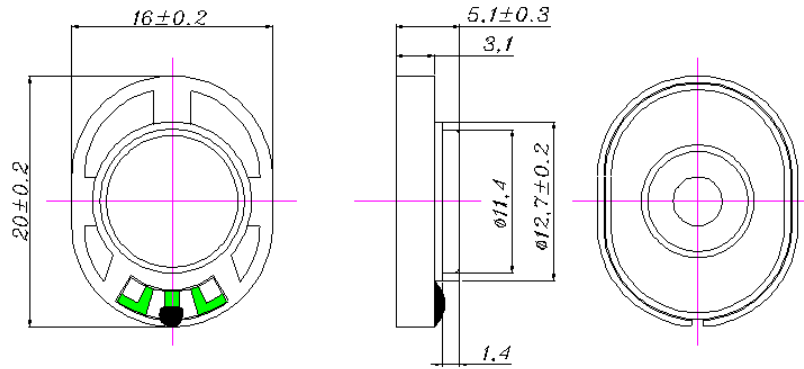




Micro SPEAKER MODEL :1620L-AS

DESCRIPTION SPEAKER



SPEAKER SPECIFICATION

Outer Dimensions	16*20 mm(See attached drawing)		
Rated (Max.)Input	1.0W (2.0W)		
Voice Coil Imp.	4 ± 0.6	Ω	(1000 Hz 1 V)
Lowest Resonance Frequency (fo)	900 ± 140	Hz	(1 V)
Sound Pressure Level	91 ± 2	dB	(0.1 w 0.1 m) at(1.0)(1.2)(1.5)(2.0)KHZ
Frequency Response	FO Hz ~	20 KHz max	-10 dB
Operating temperature	-20 +50 ± 2	°C	Hours 2 0 ~ 5 0 % R.H.
Load test	White noise at	1.0 W	48 hours
Weight	2.1	g	

Other non-stipulated matters are based on CNS4784 4785 4786 based on JIS.C. 5530 5531

FREQUENCY RESPONSE URVE^(7*18)

