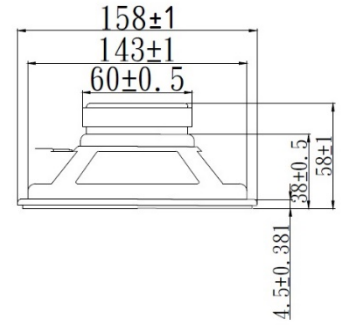
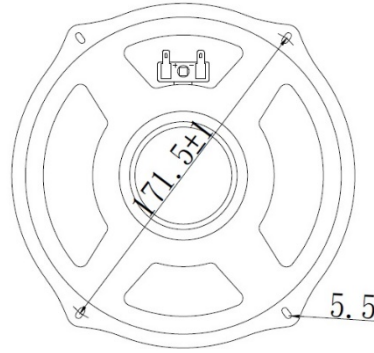




SPEAKER MODEL : 158SP

DESCRIPTION SPEAKER



SPEAKER SPECIFICATION

Outer Dimensions	mm(See attached drawing)		
Rated (Max.)Input	W (W)		
Voice Coil Imp.	8 ± 1.2	Ω (600	Hz 1 V)
Lowest Resonance Frequency (fo)	±	Hz (1 V)	
Sound Pressure Level	±	dB (1 w 0.5 m) at(0.6)(0.8)(1.0)(1.2)KHZ	
Frequency Response Deviation	FO Hz ~	20 KHz max -10 dB	
Operating temperature	-20 +70 ± 2	°C	Hours 2 0 ~ 5 0 % R.H.
Load test	White noise at	W 48 hours	
Weight	g		

Other non-stipulated matters are based on CNS4784 4785 4786 based on JIS.C. 5530 5531

FREQUENCY RESPONSE CURVE^(7*18)

