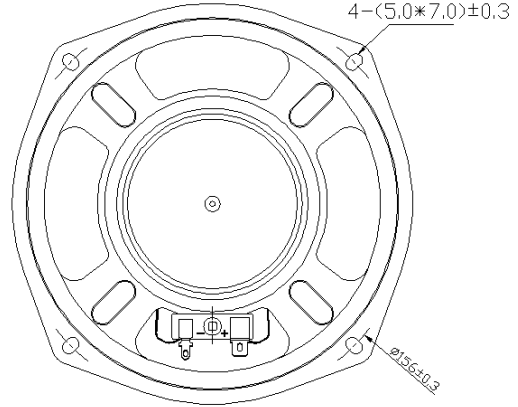
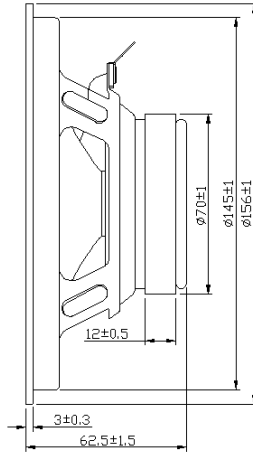




SPEAKER MODEL : 156S-TA

DESCRIPTION SPEAKER



SPEAKERSPECIFICATION

Outer Dimensions	156mm(See attached drawing)
Rated (Max.)Input	7W (15W)
Voice Coil Imp.	8 ± 1.2 Ω (800 Hz 1 V)
Lowest Resonance Frequency (fo)	70 ± 14 Hz (1 V)
Sound Pressure Level	90 ± 2 dB (1 w1m) at(0.8)(1.0)(1.2)(1.5)KHZ
Frequency Response Deviation	FO 50Hz ~ 20KHz max -10 dB
Operating temperature	-20 +70 ± 2 °C Hours 20 ~ 50 % R.H.
Load test	White noise at 15 W 48 hours
Weight	554 g

Other non-stipulated matters are based on CNS4784 4785 4786 based on JIS.C. 5530 5531

FREQUENCY RESPONSE CURVE^(7*18)

