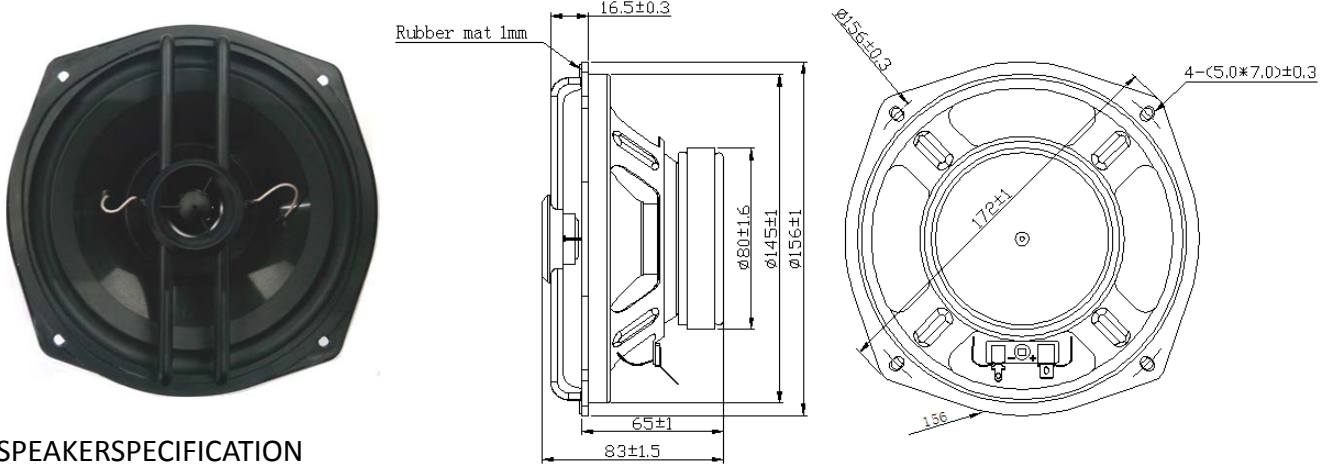




SPEAKER MODEL : 156S-A-TA

DESCRIPTION SPEAKER



SPEAKERSPECIFICATION

Outer Dimensions	156mm(See attached drawing)	tow-way/speaker
Rated (Max.)Input	20W (30W)	
Voice Coil Imp.	4 ± 0.6 Ω (800 Hz 1 V)	
Lowest Resonance Frequency (fo)	50 ± 10 Hz (1 V)	
Sound Pressure Level	85 ± 2 dB (1 w1m) at(0.4)(0.6)(0.8)(1.0)KHZ	
Frequency Response Deviation	FO 40Hz ~ 20KHz max -10 dB	
Operating temperature	-20 +70 ± 2 °C Hours 2 0 ~ 5 0 % R.H.	
Load test	White noise at 30 W 48 hours	
Weight	780 g	

Other non-stipulated matters are based on CNS4784 4785 4786 based on JIS.C. 5530 5531

FREQUENCY RESPONSE CURVE^(7*18)

