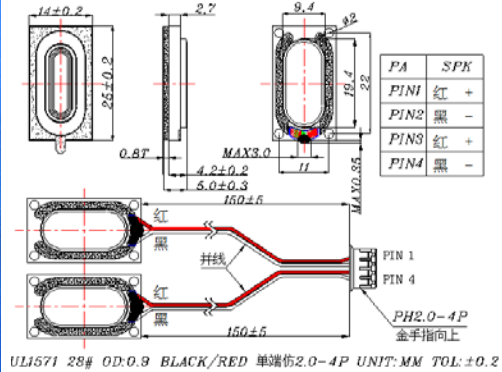
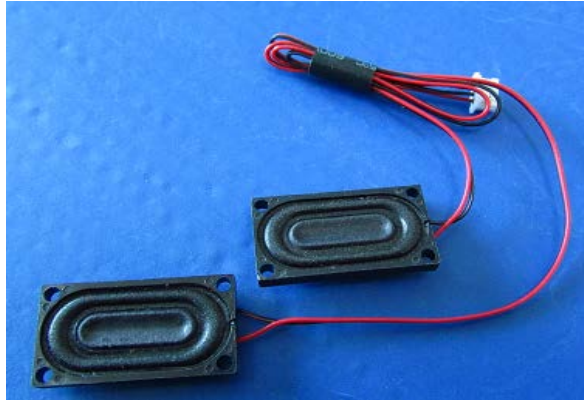




Micro SPEAKER MODEL : 1425L-A-AS

DESCRIPTION SPEAKER



SPEAKER SPECIFICATION

Outer Dimensions	14*25 mm(See attached drawing)
Rated (Max.)Input	1.2W (1.5W)
Voice Coil Imp.	4 ± 1.2 Ω (1000 Hz 1 V)
Lowest Resonance Frequency (fo)	650 ± 130 Hz (1 V)
Sound Pressure Level	80 ± 2 dB (0.1 w 0.1 m) at(1.0)(1.2)(1.5)(2.0)KHZ
Frequency Response Deviation	FO Hz ~ 20 KHz max -10 dB
Operating temperature	-20 +70 ± 2 °C Hours 20 ~ 50 % R.H.
Load test	White noise at 1.2 W 48 hours
Weight	35 g

Other non-stipulated matters are based on CNS4784 4785 4786 based on JIS.C. 5530 5531

FREQUENCY RESPONSE CURVE

