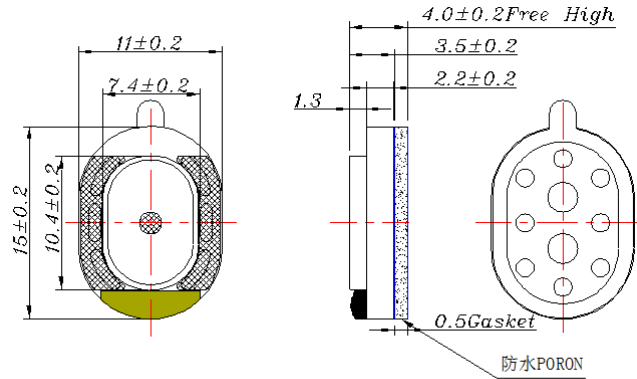




Micro SPEAKER MODEL : 1115L-IP67-AS

DESCRIPTION SPEAKER



Tol: ±0.2 UNIT:mm

SPEAKER SPECIFICATION

| | | | |
|-----------------------------------|--------------------------------|----|--|
| Outer Dimensions | 10*15 mm(See attached drawing) | | |
| Rated (Max.)Input | 0.5W (1.0W) | | |
| Voice Coil Imp. | 8 ± 1.2 | Ω | (1000 Hz 1 V) |
| Lowest Resonance Frequency (fo) | 1200 ± 120 | Hz | (1 V) |
| Sound Pressure Level | 89 ± 2 | dB | (0.1w 0.1 m) at(1.0)(1.2)(1.5)(2.0)KHZ |
| Frequency Response Deviation | FO Hz ~ 20 KHz max -10 dB | | |
| Operating temperature | -20 +50 ± 2 | °C | Hours 2 0 ~ 5 0 % R.H. |
| Load test | White noise at 1.0 W 48 hours | | |
| Weight | 1.0 g | | |

Other non-stipulated matters are based on CNS4784 4785 4786 based on JIS.C. 5530 5531

FREQUENCY RESPONSE CURVE^(7*18)

