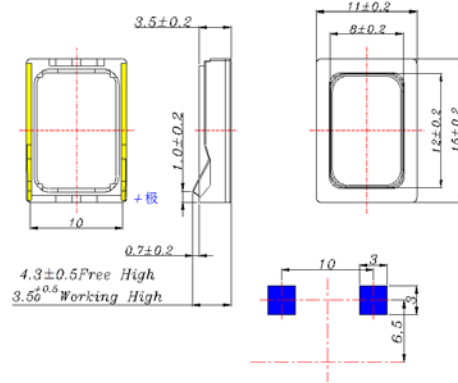




# Micro SPEAKER MODEL : 1115L-AS

## DESCRIPTION SPEAKER



## SPEAKER SPECIFICATION

Outer Dimensions	11*15 mm(See attached drawing)		
Rated (Max.)Input	0.5W (1.0W) in 1cc box		
Voice Coil Imp.	8 ± 1.2	Ω	( 1000 Hz 1 V )
Lowest Resonance Frequency ( fo )	550 ± 110	Hz	( 1 V )
Sound Pressure Level	84 ± 2	dB	( 0.1 w 0.1 m ) at(1.0)(1.2)(1.5)(2.0)KHZ
Frequency Response Deviation	FO Hz ~ 20 KHz max -10 dB		
Operating temperature	-20 +50 ± 2	°C	Hours 20 ~ 50 % R.H.
Load test	White noise at 0.5 W 48 hours		
Weight	<b>1.5 g</b>		

Other non-stipulated matters are based on CNS4784 4785 4786 based on JIS.C. 5530 5531

## FREQUENCY RESPONSE CURVE<sup>(7\*18)</sup>

