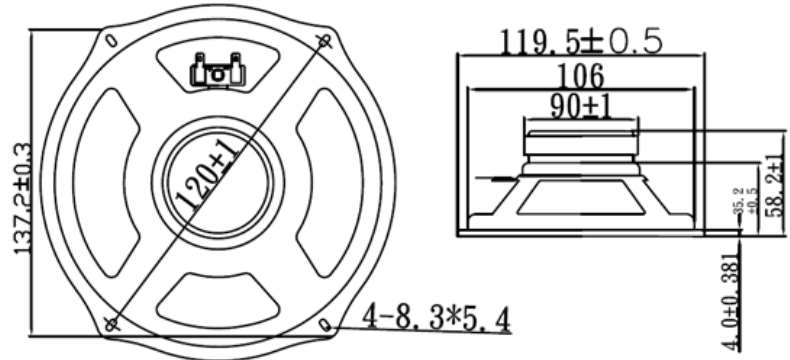




# SPEAKER MODEL : 120CP

## DESCRIPTION SPEAKER



## SPEAKER SPECIFICATION

Outer Dimensions	120mm(See attached drawing)
Rated (Max.) Input	30 W ( 50W)
Voice Coil Imp.	8 ± 1.2 Ω ( 600 Hz 1 V)
Lowest Resonance Frequency ( fo )	100 ± 20 Hz ( 1 V )
Sound Pressure Level	93 ± 2 dB ( 1 w 1 m ) at(0.6)(0.8)(1.0)(1.2)KHZ
Frequency Response Deviation	FO Hz ~ 20 KHz max -10 dB
Operating temperature	-20 +70 ± 2 °C Hours 20 ~ 50 % R.H.
Load test	White noise at 30 W 48 hours
Weight	803 g

Other non-stipulated matters are based on CNS4784 4785 4786 based on JIS.C. 5530 5531

## FREQUENCY RESPONSE CURVE<sup>(7\*18)</sup>

