

## FA0001-1 Powerful Class-D amplifier module

FA0001-1 is a high-efficiency digital audio power amplifier with the maximum output of 15W x 2ch, that directly drives speaker while reducing distortion of pulse output signal and reducing noise on the signal.

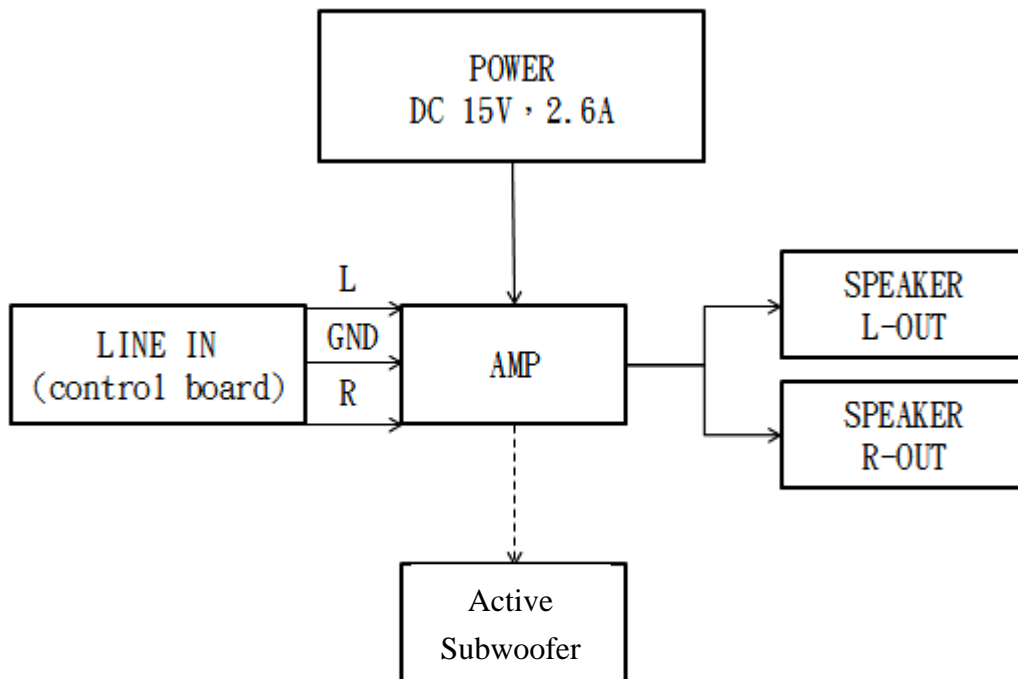
### Features

- Power limit function
- Pop noise reduction function
- S/N Ratio > 95dB
- Frequency adjustment

### Specifications

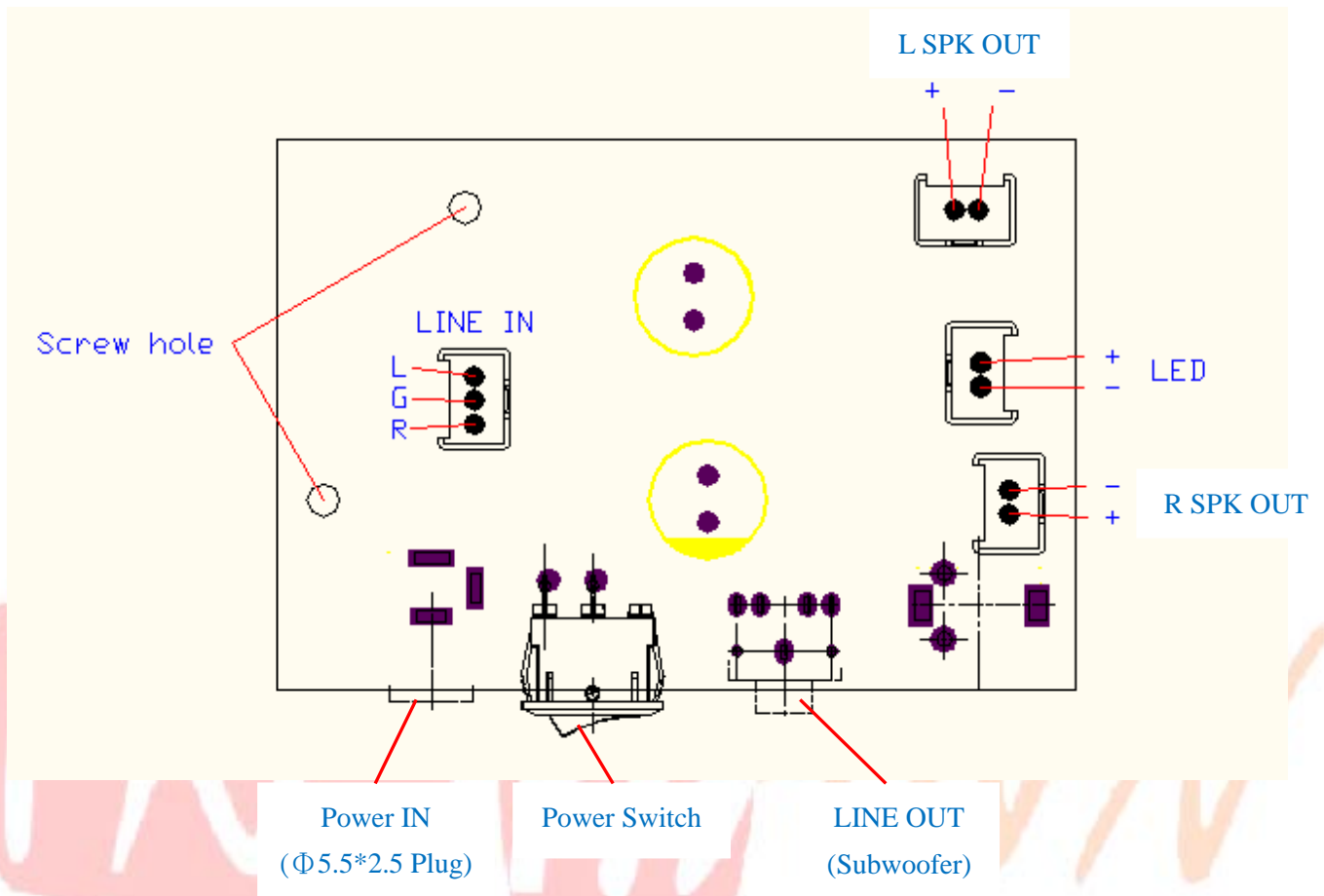
Maximum output power	15W, THD+N = 10%, VDD = 15 V, RL = 8 Ω
Output power efficiency	> 85% (VDDP=12V, RL = 8Ω)
Frequency Response	65Hz ~ 20KHz
Over current protection	YES
Short circuit protection	YES
Over temperature protection	YES
Power supply	15V, 2.6A

## Typical Connection Diagram

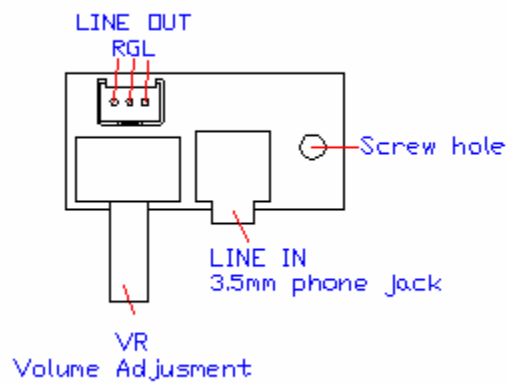


# Pin Assignment

## Amplifier



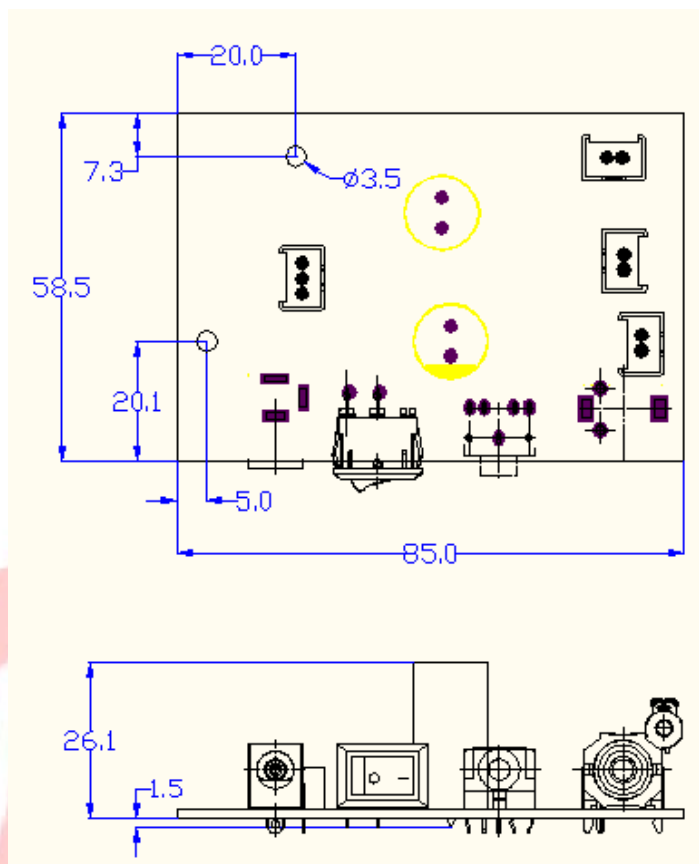
## Control board



# Module Dimension

unit : mm

## Amplifier



## Control board

