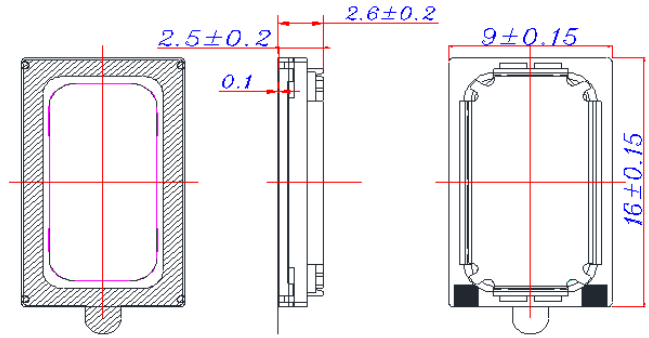




Micro SPEAKER MODEL :0916L-D-AS

DESCRIPTION SPEAKER



SPEAKER SPECIFICATION

Outer Dimensions	9*16 mm(See attached drawing)		
Rated (Max.)Input	0.8W (1.2W) in 1cc box		
Voice Coil Imp.	6 ± 0.9	Ω	(1000 Hz 1 V)
Lowest Resonance Frequency (fo)	750 ± 150	Hz	(1 V)
Sound Pressure Level	83 ± 2	dB	(0.1 w 0.1 m) at(1.0)(1.2)(1.5)(2.0)KHZ
Frequency Response Deviation	FO Hz ~	20 KHz max	-10 dB
Operating temperature	-20 +50 ± 2	°C	Hours 2 0 ~ 5 0 % R.H.
Load test	White noise at	0.8 W	48 hours
Weight	1.10 g		

Other non-stipulated matters are based on CNS4784 4785 4786 based on JIS.C. 5530 5531

FREQUENCY RESPONSE CURVE^(7*18)

